

BZIL ALARM INDICATOR BUZZER UNIT

The VimpeX BZIL is an indicator with sounder unit. It is designed to be connected to a conventional sounder circuit or strobe circuit from a control panel. It conforms to the certification rules NF508 Système de sécurité incendie (www.marque-nf.com).

The BZIL has a compact and stylish enclosure that contains the sounder and a red LED indicator positioned at the front, which illuminates in the event of an alarm. The enclosure of the BZIL is suitable for surface mounting within buildings.

Cable entry points are situated at the rear, top and bottom of the enclosure. The top and bottom cable entry points are fitted with grommets supplied with the product. Separate connector blocks are provided for the incoming and outgoing cables.



FEATURES

- 'European' Styling
- Large, visible LED for fire alarm applications
- Push through cable gland for easy install
- AFNOR approved for use in France

APPROVALS



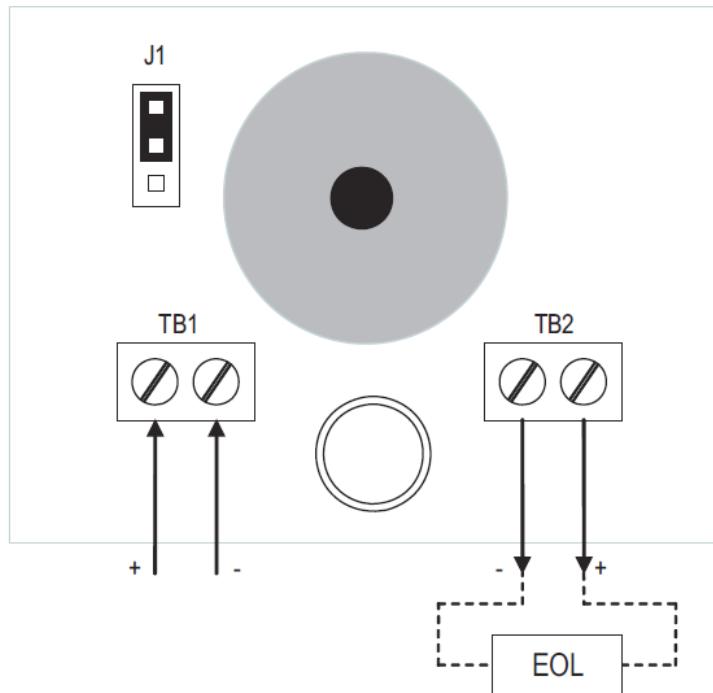
PART NUMBER

- BZIL: Alarm Indicator Buzzer Unit

SPECIFICATION

Part No.:	BZ1L
Dimensions:	90 h x 70 w x 40 d mm
Weight:	90 g
Material/Colour:	Plastic ABS FR/White
Current in Alarm:	Max 10 mA
Sound Pressure Level:	65 dBA at 24 V dc at 1 m
Sound Characteristics:	Continuous Sound at 3.3 kHz
Ambient Temperature Range:	-10°C to + 50°C

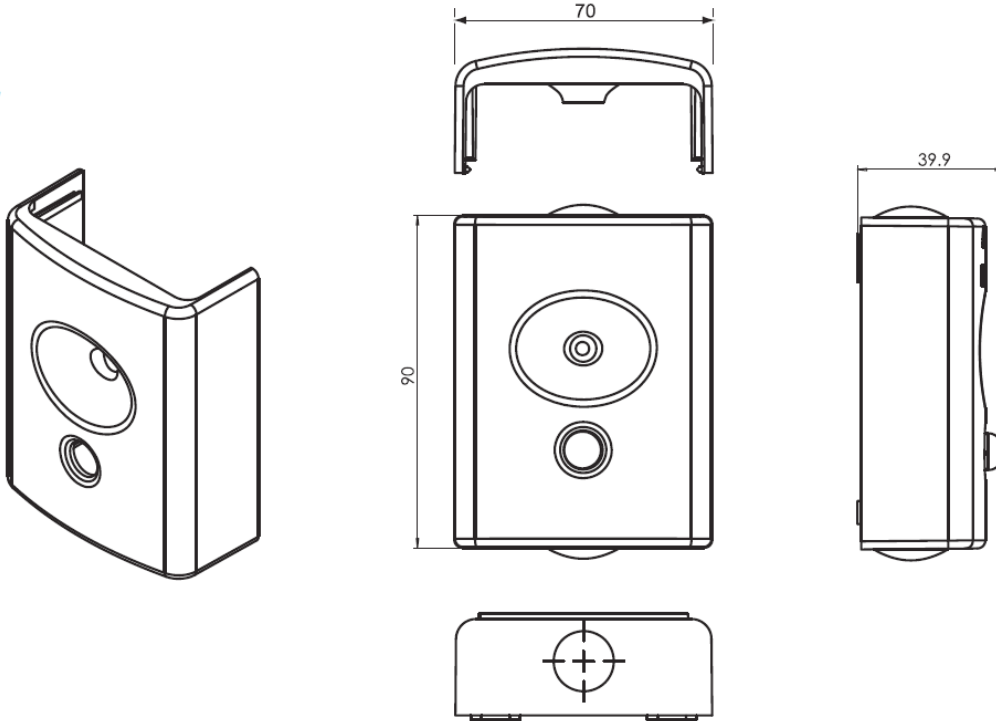
WIRING INSTALLATION



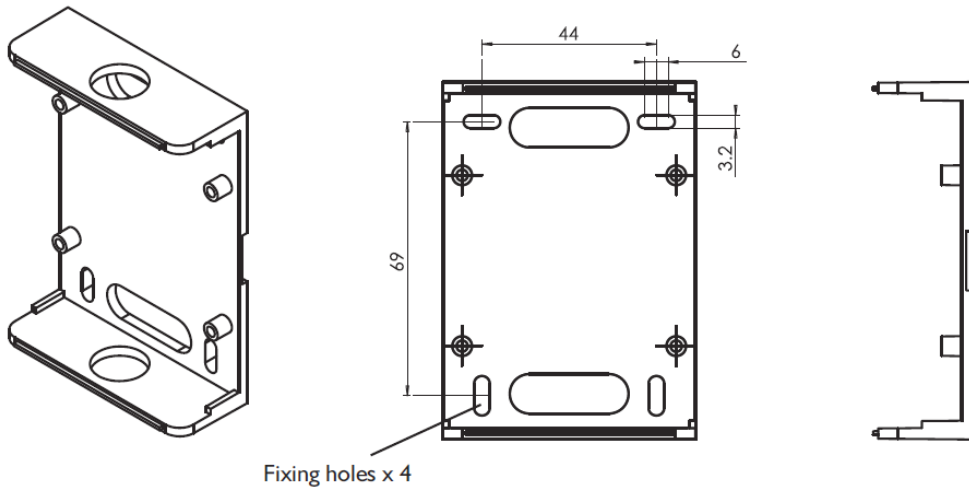
BZIL ALARM INDICATOR BUZZER UNIT

MECHANICAL SPECIFICATION

Cover



Base



Dimensions (mm)

3700136_REV20

We reserve the right to change or amend any design or specification in line with our policy of continuing development and improvement.

Vimpex LTD

Star Lane, Great Wakering,
Essex SS3 0PJ, UK
t. +44 (0) 1702 216999
e. sales@vimpex.co.uk
www.vimpex.co.uk

Vimpex Interguard AB

t. +46 (0) 36 37 10 65
e. sales@vimpex.se

