

# SYCALL RESET GLOW SINGLE POLE WEATHERPROOF RESETTABLE CALL POINTS

The Sycall Reset-Glow series of resettable manual call points mimics the feel of breaking glass whilst offering the user benefits and environmental advantages of a resettable operating element.

Internal and weatherproof units are available and all variants can be easily identified by an alarm flag which rises into view upon activation.

The optional in-built LED ring illuminates the central operating window of the Series 01 when operated.

## FEATURES

- Clean contact or choice of 470 Ω or 680 Ω series resistors in the same model
- Aesthetically appealing design
- Approved to EN 54 Part 11 (Red Only)
- Resettable Element
- Optional highly visible LED Light ring when activated
- Luminescent element visible for up to 8 minutes hundreds

## APPROVALS (Red Sycall Call Point Only)



## PART NUMBERS

- SYW-RF01 Red, Series 01, Flush Mount
- SYW-GF01 Green, Series 01, Flush Mount
- SYW-YF01 Yellow, Series 01, Flush Mount
- SYW-WF01 White, Series 01, Flush Mount
- SYW-BF01 Blue, Series 01, Flush Mount
- SYW-RS01 Red, Series 01, Surface Mount
- SYW-GS01 Green, Series 01, Surface Mount
- SYW-YS01 Yellow, Series 01, Surface Mount
- SYW-WS01 White, Series 01, Surface Mount
- SYW-BS01 Blue, Series 01, Surface Mount

## ACCESSORIES

- SYW-PC01 Sycall Hinged Protective Cover
- SYW-NIU01 Sycall "Not in Use" Label

## SYCALL RESET GLOW



## SPECIFICATION

Maximum Voltage	30 V dc
Minimum Voltage*	5.0 V dc if LED with R1 is chosen 6.0 V dc if LED if R2 is chosen
Current Rating (non activated)	0 mA
Current Rating (activated)	19 mA @ 12 V dc - R1 13 mA @ 12 V dc - R2 45 mA @ 24 V dc - R1 31 mA @ 24 V dc - R2
Cable Termination	0.5 2.5 mm <sup>2</sup>
Operating Temperature	-30 to +70°C
IP Rating	IP67
Material	ABS/Polycarbonate/PA6+Glass Fibre

\*LED may be low output or not operate below minimum voltage

## SMART+GUARD 2

### PROTECTIVE COVERS

- SG2-SS-# Smart+Guard 2 Cover, Surface, With Sounder
- SG2-S-# Smart+Guard 2 Cover, Surface No Sounder

For full product code replace # with:

- R = Red
- G = Green
- Y = Yellow
- W = White
- B = Blue

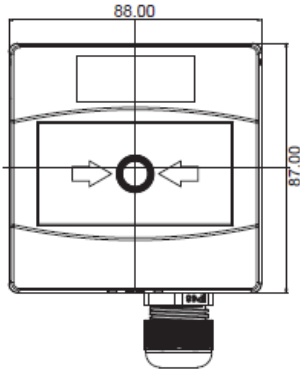


# SYCALL RESET GLOW

## SINGLE POLE WEATHERPROOF

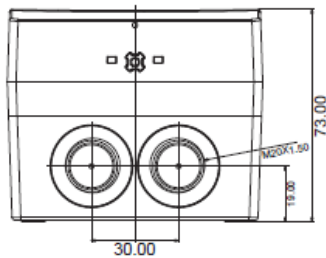
### RESETTABLE CALL POINTS

INSTALLATION

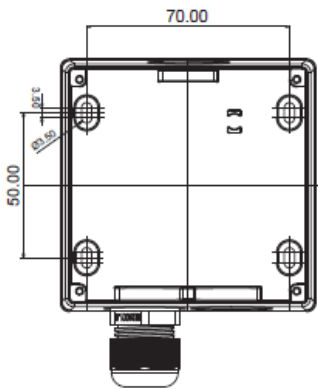


Dimensions (mm)

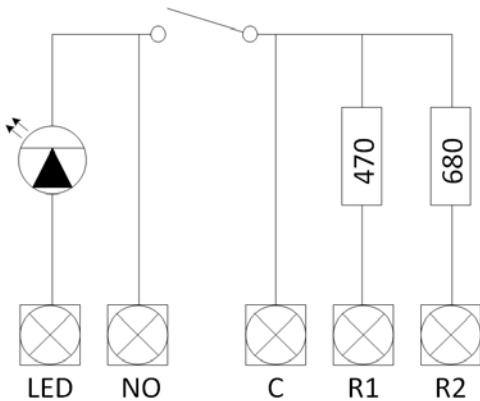
Surface Mount (Front)



Side View



Surface Mount (Rear)



Terminal Layout

3700096/REV 2

We reserve the right to change or amend any design or specification in line with our policy of continuing development and improvement.

**Vimpex LTD**  
 Star Lane, Great Wakering,  
 Essex SS3 0PJ, UK  
 t. +44 (0) 1702 216999  
 e. sales@vimpex.co.uk  
[www.vimpex.co.uk](http://www.vimpex.co.uk)

**Vimpex Interguard AB**  
 t. +46 (0) 36 37 10 65  
 e. sales@vimpex.se



Quality System Certificate No. 456  
 Assessed to ISO 9001