

# SIGNALINE LOCATORPLUS-EN

## DUAL ZONE MONITOR MODULE



Compatible with: Signaline FT-88-EN, FT-78-EN  
EN54-28:2016 approved  
Independent or interlocking modes  
Monitors 2 zones of up to 1000 m each



# SIGNALINE LOCATORPLUS-EN DUAL ZONE MONITOR MODULE

## SPECIFICATION

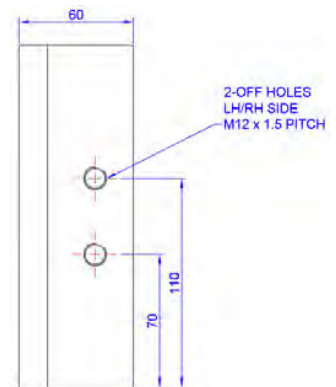
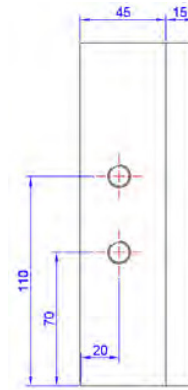
<b>Model</b>	Signaline LocatorPlus-EN
<b>Dimensions</b>	180 x 120 x 60.5 mm (HxWxD)
<b>IP Rating</b>	IP65
<b>Finish</b>	Light grey with clear lid. Orange faceplate.
<b>Display</b>	2 line, 16 character backlit display with zone status
<b>Approvals</b>	EN54-28:2016, UL File no.: S24913
<b>Operating voltage</b>	12 / 24 / 36 V dc
<b>Operating current</b>	<15 mA / <7 mA / <5 mA
<b>Alarm current</b>	<40 mA / <23 mA / <15 mA
<b>Operating temp. range</b>	-20°C to +50°C (-4°F to +122°F) 5 mm
<b>Terminal blocks</b>	5 mm Rising Clamp
<b>Rating</b>	16 A
<b>Wire size</b>	0.08 mm <sup>2</sup> (28AWG) to 4 mm <sup>2</sup> (11AWG)
<b>Supervised circuits</b>	Power, Input Zone 1 & Input Zone 2

<b>Inputs</b>	
<b>Input</b>	Up to 2 zones Signaline FT-78-EN or FT-88-EN
<b>Zone length</b>	1 to 1,000 m (3,280 ft)
<b>End of Line resistor</b>	1k ohm (included)
<b>Short circuit current</b>	0.5 mA
<b>Max zone voltage</b>	5 V

<b>Outputs</b>	
<b>Communications</b>	Two wire RS-485 Modbus RTU
<b>Sounder</b>	2.4 kHz 92 dBa @ 10 cm Buzzer
<b>Alarm</b>	2x Form C volt-free relay contacts (resistive, common) <i>Max V</i> 30 V ac or 42.4 V dc <i>Max Current</i> 2 A <i>Max Switching Power</i> 60 W, 62.5 V A
<b>Fault</b>	2x Optoisolated phototransistor output (resistive, common) <i>Max V</i> 35 V dc <i>Max Current</i> 80 mA <i>Max Power Dissipation</i> 150 mW



Signaline FT-EN cable is proudly  
manufactured in the UK



DS/3700081/ISS 1 B

We reserve the right to change or amend any design or specification in line with our policy of continuing development and improvement.

**Vimpex LTD**  
 Star Lane, Great Wakering,  
 Essex SS3 0PJ, UK  
 t. +44 (0) 1702 216999  
 e. sales@vimpex.co.uk  
[www.vimpex.co.uk](http://www.vimpex.co.uk)

**Vimpex Interguard AB**  
 t. +46 (0) 36 37 10 65  
 e. sales@vimpex.se

