

Arguably the single most important fire safety mechanism - electromagnetic door holders guard against the lethal spread of toxic smoke and fumes - by far the greatest cause of death in fires.

The VimpeX EN 1155 approved weatherproof door holder offers the installer an excellent solution for harsh environments and outdoor use.

Mounted onto a fixed surface, these door holders ensure retention of the fire door by means of a smart metallic keeper plate. Interfaced with the fire alarm system, the door holders are deenergised as soon as the fire is detected thus releasing the door without the potentially harmful delay suffered by other types of devices.

FEATURES

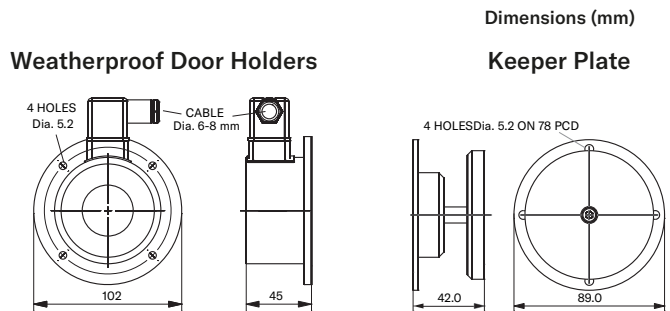
- Ideal for external use and harsh environments
- Robust steel construction - 1200 N holding force
- Sealed against water ingress (IP 65)
- Available in 230 V ac and 24 V dc
- Supplied with keeper plate
- Terminated via IP 65 connector (supplied)

PART NUMBERS - SPARES & ACCESSORIES

- DH/KP/WP: Keeper Plate



INSTALLATION



SPECIFICATION

Part Number:	Description	Rated Voltage	Nominal Current	Holding Force	Temperature Range	IP Rating	Power Rating	Weight
DH/WP/24:	DC	24 V dc	290 mA	1200 N	-30 to +80°C	IP 65	7 W	2.0 kg
DH/WP/230:	AC	230 V ac	43 mA	1200 N	-30 to +80°C	IP 65	10 W	2.0 kg

DS/WPDH-TD/ISS 2

We reserve the right to change or amend any design or specification in line with our policy of continuing development and improvement.

Vimpex LTD
 Star Lane, Great Wakering,
 Essex SS3 0PJ, UK
 t. +44 (0) 1702 216999
 e. sales@vimpex.co.uk
www.vimpex.co.uk

Vimpex Interguard AB
 t. +46 (0) 36 37 10 65
 e. sales@vimpex.se



Quality System Certificate No. 456
 Assessed to ISO 9001:2000