

IDENTIFIRE

BASE SOUNDER

The slimmest sounder in its class, the VimpeX Base Sounder supplies true omni-directional sound output and is fully compatible with other sounders in our range.

The sounder comes with 32 user-selectable tones incorporating low frequencies, high frequencies, European, American and Australian norms and all industry-standard frequency patterns.

Tested and approved to EN 54 Part 3, the Identifire Base Sounder fits neatly under most ceiling mounted fire detectors or can be mounted stand-alone with the use of a front blanking plate.

FEATURES

- 32 Tones
- EN 54-3 tested and fully approved in accordance with CPR
- Slimmest profile in the industry
- Low current consumption
- Omni-directional sound
- Front plate for stand-alone use available
- Four selectable volume levels
- Installer friendly terminals
- Ceiling or wall mounted*
- Robust and easily connected 'two in two out' 2.5 mm terminals

*When used without a detector.

SPECIFICATION

Operating Voltage (V dc)	18-30
Tone Current Consumption (mA)	See information table on Page 2
Sound Output (dBA Typ @ 1m)	See information table on Page 2
Tones Available	See information table on Page 2
Body Colour	White
Temperature Range (Deg C)	-10°C to 50°C
Environment Category	Type A (Indoor)
Volume Control	1. Max. 2. High (-6 dB(A)) 3. Medium (-12 dB(A)) 4. Low (-18 dB(A))



PART CODE

Part Code	Part Name
IDBTS-W	VimpeX Base Sounder, White



Identifire product is compatible with 2 wire fire alarm systems.
List of compatible control panels available.

IDENTIFIRE

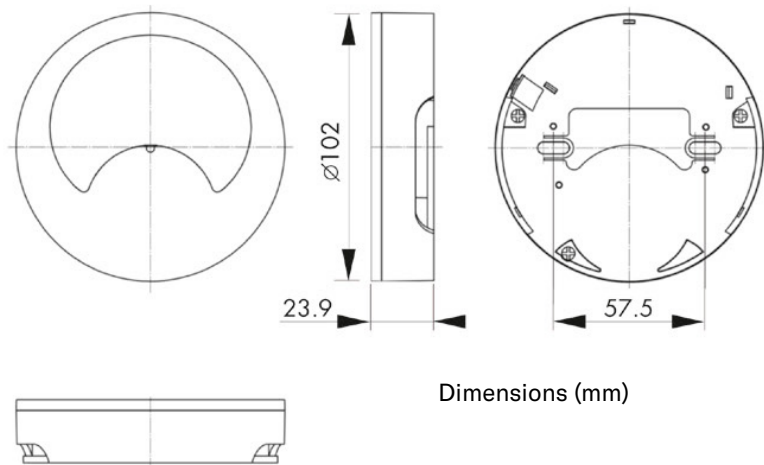
BASE SOUNDER

SOUND OUTPUT TABLE & TONE SPECIFICATION

No.	Tone Name	Tone Description	Alt. Input	Max Current (mA)	24 V dc
			Tone	Max	dB(A) @ 1m
1	Banshee Buzz LF	800 Hz to 950 Hz swept at 120 Hz	4	15	91
*2	Banshee Fast Sweep LF	800 Hz to 950 Hz swept at 9 Hz	4	15	90
3	Banshee Slow Sweep LF	800 Hz to 950Hz swept at 3 Hz	4	16	91
4	Banshee Continuous LF	Continuous 900 Hz	4	16	89
5	Banshee Fast Sweep LF	830 Hz to 970 Hz swept at 9 Hz	4	17	89
*6	Medium Sweep LF	800 Hz to 970 Hz swept at 1 Hz	7	17	90
7	Continuous LF	Continuous 950 Hz	7	17	83
8	Alert Tone	Intermittent 970 Hz 1 s on, 1 s off	4	18	83
9	Alternate LF	Alternating 800 Hz/1000 Hz at 1 Hz	4	18	87
10	Medium Sweep LF	800 Hz to 1000 Hz swept at 2 Hz	4	17	86
11	Alternate LF	Alternating 800 Hz/950 Hz at 3 Hz	4	16	87
12	Banshee Buzz HF	2400 Hz to 2900 Hz swept at 120 Hz	15	13	91
13	Banshee Fast Sweep HF	2400 Hz to 2900 Hz swept at 9 Hz	15	12	90
14	Banshee Slow Sweep HF	2400Hz to 2900 Hz swept at 3 Hz	15	13	88
15	Banshee Continuous HF	Continuous 2900 Hz	15	10	87
16	Banshee Fast Sweep HF	2450 Hz to 3100 Hz swept at 9 Hz	15	12	88
17	Back Up Alarm HF	Intermittent 2900 Hz 1 s on, 1 s off	15	10	87
18	Low Frequency Tone	Continuous 520 Hz tone	15	10	93
*19	Slow Whoop	500 Hz rising to 1200 Hz over 3.5 s, silence 0.5 s, repeat	4	17	94
*20	DIN Tone (DK)	1200 Hz falling to 500 Hz over 1 s, silence 10 ms, repeat	4	17	92
*21	French Fire Sound	554 Hz for 100 ms and 440 Hz for 400 ms	4	9	91
*22	Hi-Lo Warble	925 Hz / 0.25 s, 628 Hz / 0.25 s	8	16	91
23	Australian Evacuation Signal	500 Hz to 1200 Hz 0.5s on / 0.5s off 3 times, silence for 1 s and repeat (AS1670)	4	14	88
24	US Temporal Tone LF	950 Hz for 0.5 s on. 0.5 s off 3 times, silence for 1 s and repeat	4	17	88
25	US Temporal Tone HF	2900 Hz for 0.5s on. 0.5s of 3 times, silence for 1 s and repeat	15	10	87
26	Swedish Tone (Fire)	Intermittent 660 Hz 150 ms on, 150 ms off	26	10	78
27	Swedish Tone (All Clear)	Continuous 660 Hz	27	10	79
28	ISO 8201 LF	Intermittent 970 Hz 500 ms on, 500 ms off	28	17	86
29	ISO 8201 HF	Intermittent 2900 Hz 500 ms on, 500 ms off	29	10	91
30	Australian Alert Signal	Intermittent 420 Hz 625 ms on, 625 ms off	31	8	91
*31	Alternate Evacuation Tone	970 Hz 0.5 s / 630Hz 0.5s	8	18	92
32	Bell Tone	Mix of frequencies to simulate fire alarm bell	32	26	100

Notes: *Tones highlighted in bold are approved under the Construction Product Regulation; Sound output (dBA) and current (mA) values are typical.

TECHNICAL DRAWING



Dimensions (mm)

DS/3700043/ISS 5

We reserve the right to change or amend any design or specification in line with our policy of continuing development and improvement.

Vimpex LTD
 Star Lane, Great Wakering,
 Essex SS3 0PJ, UK
 t. +44 (0) 1702 216999
 e. sales@vimpex.co.uk
www.vimpex.co.uk

Vimpex Interguard AB
 t. +46 (0) 36 37 10 65
 e. sales@vimpex.se

