



REMOTE LAMP UNIT WITH BUZZER

A bright LED indicator with buzzer suitable for use as a local alarm/indicator. Like all Identifire products, this product is available as either flush or surface mounted.

In common with all other Identifire products, our Remote Lamp Unit with Buzzer can be customised with your choice of logo and indication text in any language*

FEATURES

- Very bright, easily visible LED
- 80 dBA buzzer
- Ideal for use as a local alarm/indicator
- Can be printed with any text in any language*

SPECIFICATION

Maximum Conductor Size	2.5 mm ² per terminal
Voltage Range	16 V to 45 V
Current in Alarm (Max.)	8 mA
Typical Sound Output	80 dB(A) @ 1 m (24 V d.c)
Operating Temperature	-5° to +50° Celsius
Operating humidity	95% non-condensing
Material	Fire rated ABS
Installation Knockouts	4 x 20 mm round, 1 x rectangular

PART CODE

Part Code	Part Name
10-2011WFR-S	Identifire Remote Lamp Unit with Buzzer, Flush, White, Red LED
10-2011WSR-S	Identifire Remote Lamp Unit with Buzzer, Surface, White, Red LED



FLUSH MOUNTED



SURFACE MOUNTED

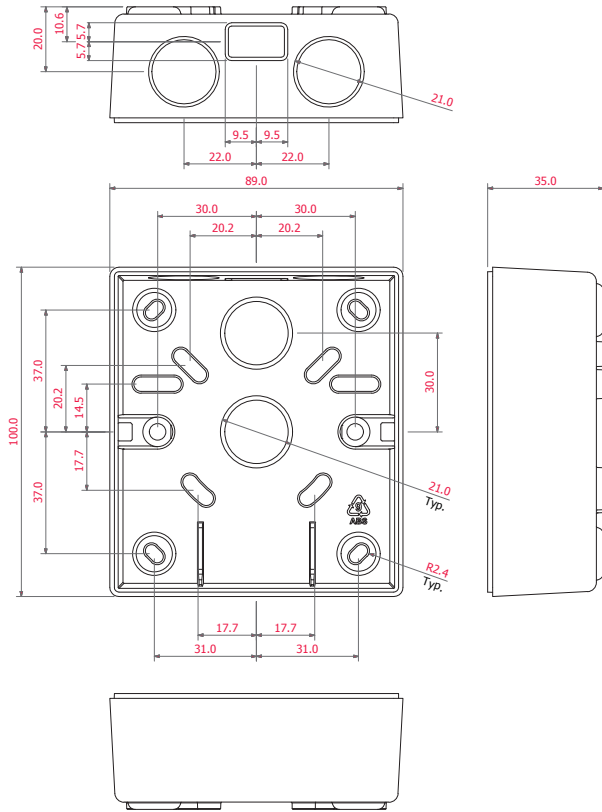
*Minimum order quantities may apply



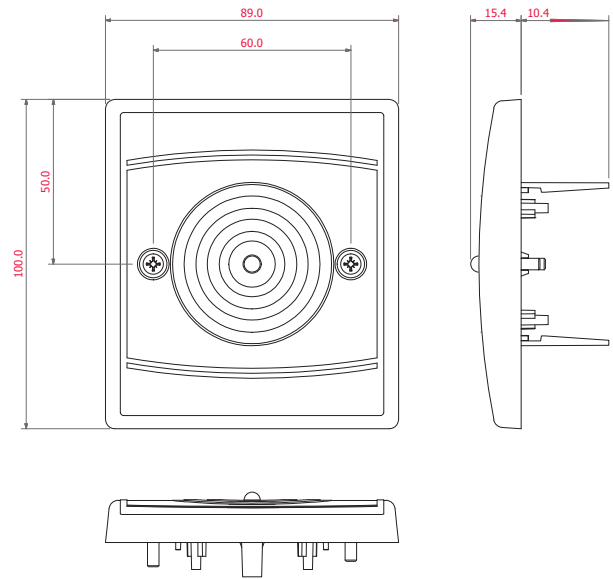
REMOTE LAMP WITH BUZZER

TECHNICAL DRAWING

BACK BOX



REMOTE LAMP UNIT



Dimensions: mm

DS/3700036 Iss 1

We reserve the right to change or amend any design or specification in line with our policy of continuing development and improvement.

Vimpex Limited
 Star Lane
 Great Waking
 Essex SS3 0PJ, UK

t. +44 (0) 1702 216999
 e. sales@vimpex.co.uk
 www.vimpex.co.uk

