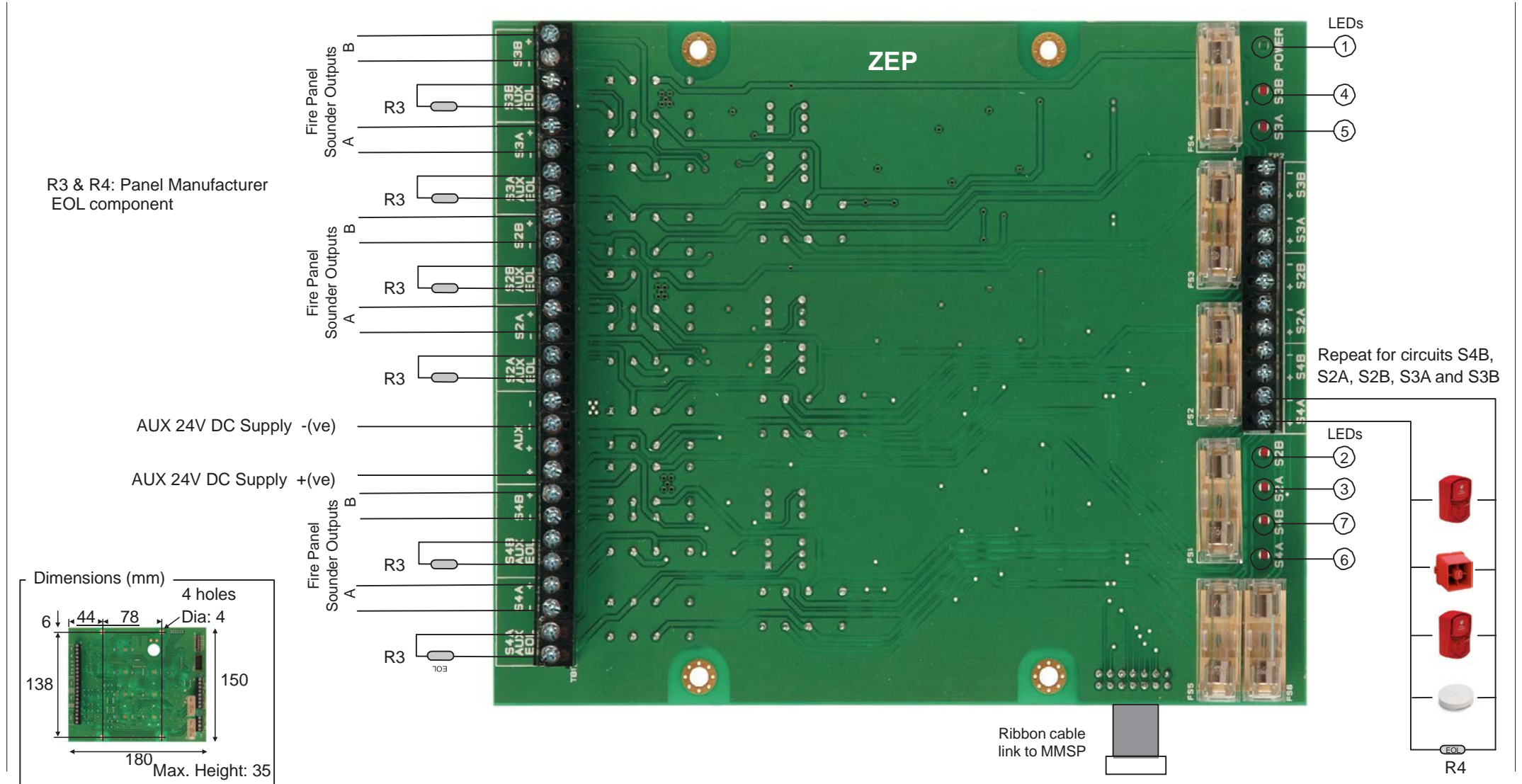


WIRING DETAILS



TERMINALS

AUX - / + - 24VDC - Input (Max load of 12A requires Min. 1.5mm CSA up to 2 Metres in length).

S2A, S2B, S3A, S3B, S4A & S4B - Sounder inputs from Fire Panel.

S2A AUX EOL, S2B AUX EOL, S3A AUX EOL, S3B AUX EOL, S4A AUX EOL & S4B AUX EOL - The sounder circuits S2A, S2B, S3A, S3B, S4A and S4B are provided with auxiliary EOL terminals. Fit the panel manufacturer's recommended EOL Resistor (R3) here. This suppresses fault signals when an auxiliary message is broadcast.

S2A, S2B, S3A, S3B, S4A & S4B - Sounder Outputs from ZEP.

LED FUNCTIONS

1. (Green) – Power On.
- 2 - 7. (Red) – Message broadcast on corresponding sounder circuit.

Vimpex Limited
 Star Lane, Great Wakering
 Essex SS3 0PJ England
 Tel: +44 (0) 1702 216999
 Fax: +44 (0) 1702 216699
 E-mail: sales@vimpex.co.uk
 www.vimpex.co.uk