

STROBELL - COMBINED FIRE BELL & VISUAL ALARM DEVICE

A combined fire alarm bell and visual alarm device, using market leading aluminium for excellent sound output and the latest in LED technology to maximise light output.

The Vimpex StroBell is ideal for installations that call for both a traditional bell tone as well as a visual alarm.

As with the Vimpex sounder range, all bells can be supplied branded with your company logo.

FEATURES

- Utilises market-leading bell design
- Ultra bright strobe in clear lens for maximum light output
- Familiar installation method
- Selectable flash rate - 30/60 per minute
- Low current consumption
- Single point of installation minimises wiring and associated costs
- Strobe synchronisation with no additional wiring (synchronisation not covered by approval)
- Can be wired as a two stage alarm, with both bell and visual alarm on separate circuits (not approved in this configuration)

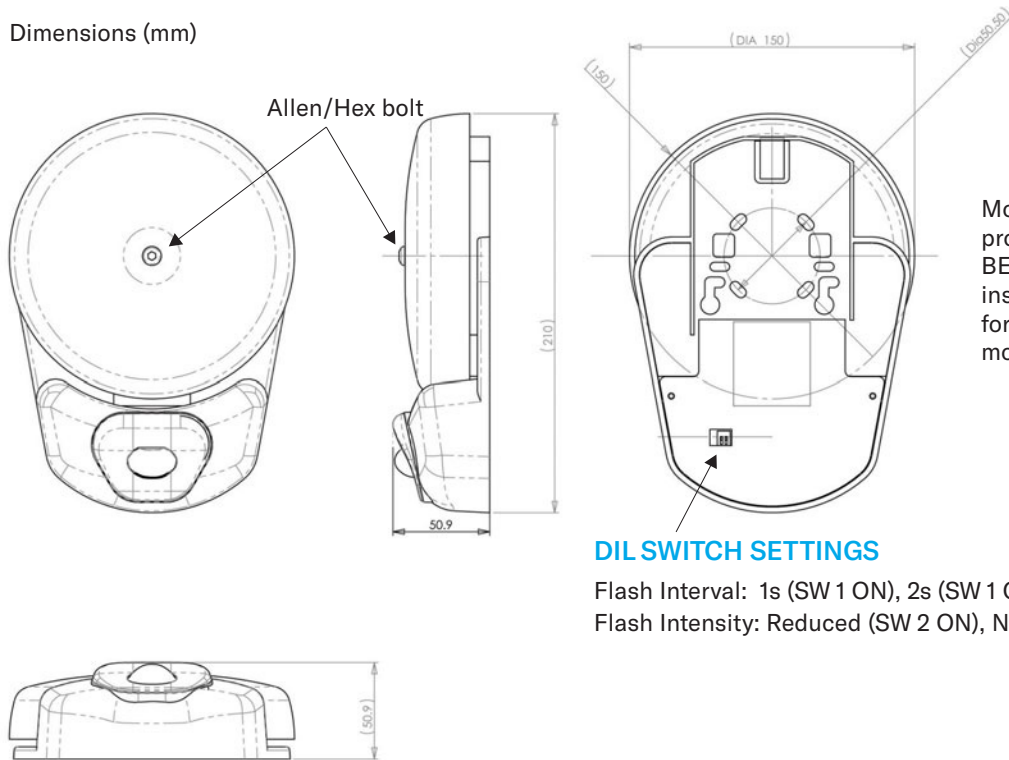


SPECIFICATION

Model No.:	SNV0004
Light Colour:	White
Supply Voltage:	19.2 - 28.8 V dc. (24 V dc Nominal)
Current Max:	45 mA
Sound Output:	95 dB(A) at 1 metre
Light Output:	54.8 Lux
Gong Colour:	Red
Gong Construction:	Aluminium
IP Rating:	21
Weight:	580 g
Operating Temperature:	-20 to +55°C

INSTALLATION

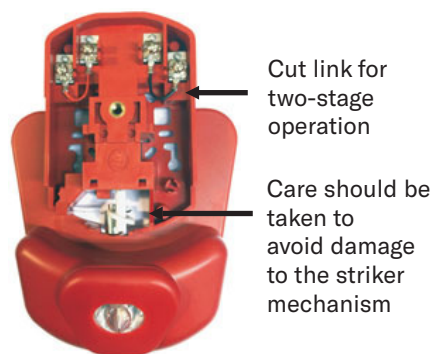
Dimensions (mm)



DIL SWITCH SETTINGS

Flash Interval: 1s (SW 1 ON), 2s (SW 1 OFF)
Flash Intensity: Reduced (SW 2 ON), Normal (SW 2 OFF)

Front of StroBell with Gong removed



WIRING

Upper Terminals: Bell
Lower Terminals: VAD

DS/STROBELL-TD/ISS 4

We reserve the right to change or amend any design or specification in line with our policy of continuing development and improvement.

Vimpex LTD
Star Lane, Great Wakering,
Essex SS3 0PJ, UK
t. +44 (0) 1702 216999
e. sales@vimpex.co.uk
www.vimpex.co.uk

Vimpex Interguard AB
t. +46 (0) 36 37 10 65
e. sales@vimpex.se

