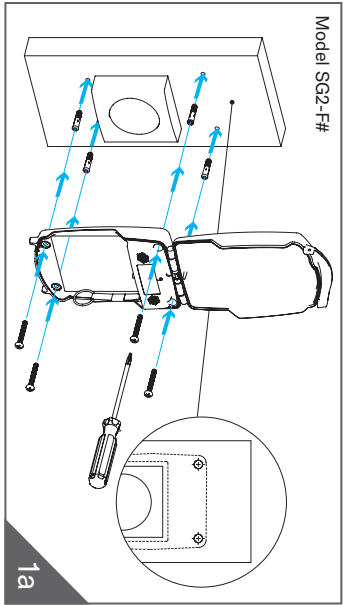




Installation Guide

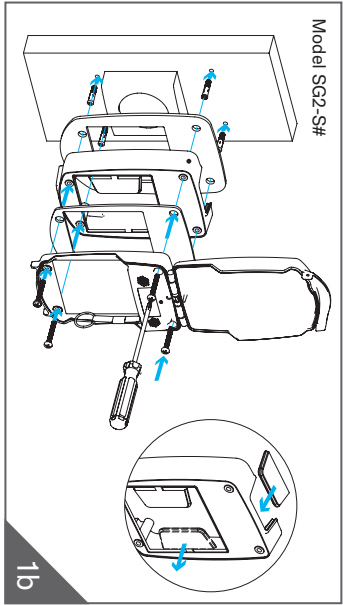
For further information call +44 (0) 1702 216999 or visit www.vimpex.co.uk

Model SG2-F#

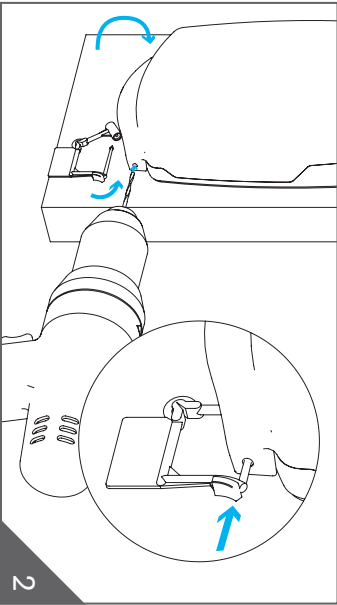


1a

Model SG2-S#

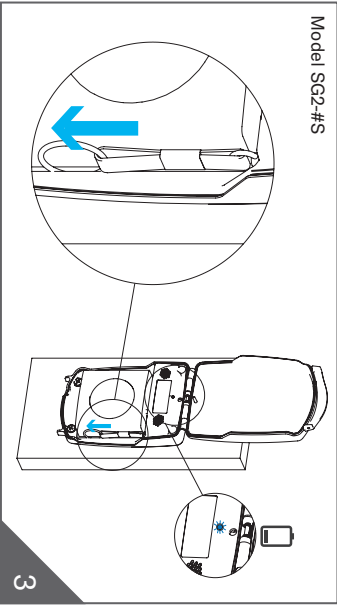


1b

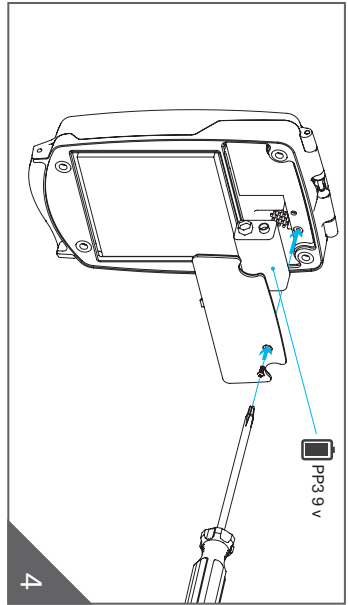


2

Model SG2-#S



3



4