

# INSTALLATION INSTRUCTIONS CLAMBELL

ClamBell (Part Code:CBE6-XY-230-ZZ)

X = Gong Colour, Y = Base type, ZZ = Language

## General

Fire alarm bell for professional installation in commercial fire alarm systems. The following base options are available - deep base and purpose designed weatherproof base.

## Specification

Input Voltage	207Vac ~ 253Vac @ 50Hz
Maximum current (RMS)	16mA
Output SPL	92-96dB(A)
Ingress Protection EN 60529:1992+A2:2013	IP33C with Deep base IP56 CAT. 2 with Weatherproof base*1
Cable entries	4 x Glanded Entry
Terminals	0.5mm <sup>2</sup> - 2.5mm <sup>2</sup> cables
Operating Temperature	-25°C to +70°C

\*1 Ingress Protection not approved by LPCB, tested and certified by Intertek.

## Installation

### Mounting Deep / Weatherproof base

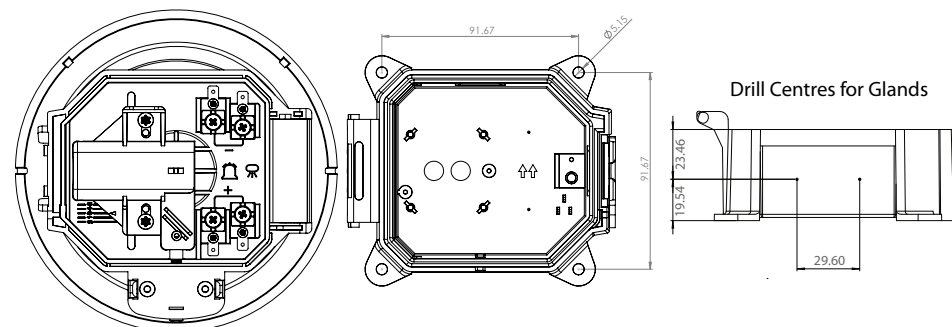
1. Drill required number of cable gland entry holes where indicated on side of base.
2. Fit supplied glands and ensuring correct orientation (arrows up, gong to left) mount to wall through the four external lugs with suitable fixings.
3. Feed cable through glands and terminate as per wiring instructions.

**NOTE: FULL WEATHERPROOF RATING ONLY ACHIEVED BY USING GLANDS PROVIDED. DO NOT DRILL THROUGH REAR OF HOUSING**

**Note:** This unit should only be installed by competent personnel qualified for installing mains equipment. A 2 pole disconnect device must be incorporated in the mains wiring prior to this device.

## Mechanical Information

Deep / Weatherproof base



# INSTALLATION INSTRUCTIONS CLAMBELL

ClamBell (Part Code:CBE6-XY-230-ZZ)

X = Gong Colour, Y = Base type, ZZ = Language

## General

Fire alarm bell for professional installation in commercial fire alarm systems. The following base options are available - deep base and purpose designed weatherproof base.

## Specification

Input Voltage	207Vac ~ 253Vac @ 50Hz
Maximum current (RMS)	16mA
Output SPL	92-96dB(A)
Ingress Protection EN 60529:1992+A2:2013	IP33C with Deep base IP56 CAT. 2 with Weatherproof base*1
Cable entries	4 x Glanded Entry
Terminals	0.5mm <sup>2</sup> - 2.5mm <sup>2</sup> cables
Operating Temperature	-25°C to +70°C

\*1 Ingress Protection not approved by LPCB, tested and certified by Intertek.

## Installation

### Mounting Deep / Weatherproof base

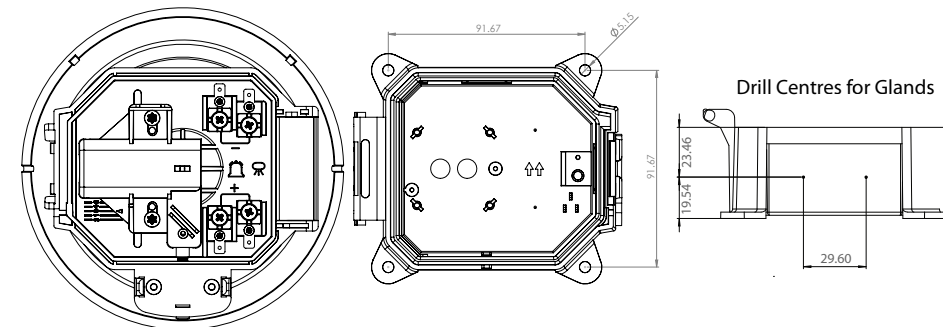
1. Drill required number of cable gland entry holes where indicated on side of base.
2. Fit supplied glands and ensuring correct orientation (arrows up, gong to left) mount to wall through the four external lugs with suitable fixings.
3. Feed cable through glands and terminate as per wiring instructions.

**NOTE: FULL WEATHERPROOF RATING ONLY ACHIEVED BY USING GLANDS PROVIDED. DO NOT DRILL THROUGH REAR OF HOUSING**

**Note:** This unit should only be installed by competent personnel qualified for installing mains equipment. A 2 pole disconnect device must be incorporated in the mains wiring prior to this device.

## Mechanical Information

Deep / Weatherproof base



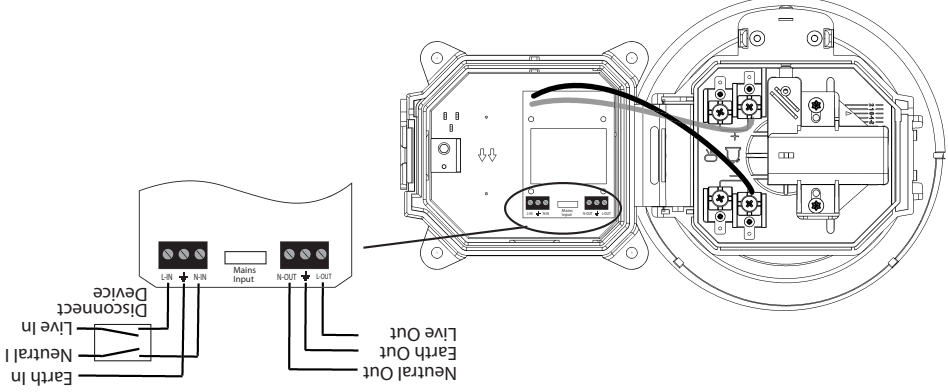
Clambell (Part Code:CBE6-XY-230-ZZ)

X = Gong Colour, Y = Base type, ZZ = Language



## Wiring (mains connection)

The wiring to the front gong terminals is pre-wired from the mains - pack. (Note: this connection is nominal 24Vdc). Before any wiring takes place, ensure that all necessary isolation devices have been activated and **cannot** be re-activated during the installation. The mains wiring MUST only be wired to the mains pack. The mains pack supports mains-in and mains-out allowing multiple Clambell's on the same circuit.



### Note:

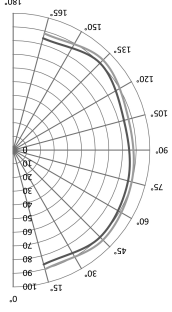
Once all the field wiring has been completed and the unit tested, the anti-tamper screw should be removed from the base and fitted to the clip to avoid unauthorised opening.

## Polar Plot

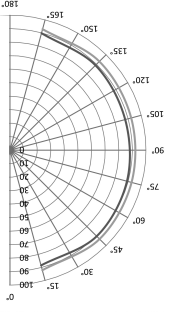
Polar data provided at Min. / Max. dc supply and at 1 metre distance.

Product should only be mounted vertically (arrows orientated upwards).

Angle	20.4V	27.6V
Horizontal	15°	86.14 90.04
	45°	89.94 92.84
	75°	87.04 89.74
	105°	83.94 87.34
	135°	89.94 93.04
	165°	84.64 88.24



Angle	20.4V	27.6V
Vertical	15°	88.44 92.14
	45°	90.24 93.24
	75°	89.04 92.64
	105°	87.64 92.34
	135°	88.84 92.94
	165°	89.64 92.74



Document available in other languages

E&OE

Vimpex AB  
Mekanikervägen 6  
Sverige  
Tel: +46 (0) 36-37 10 65  
Email: sales@vimpex.se

web: www.vimpex.co.uk

3500067\_REV0100

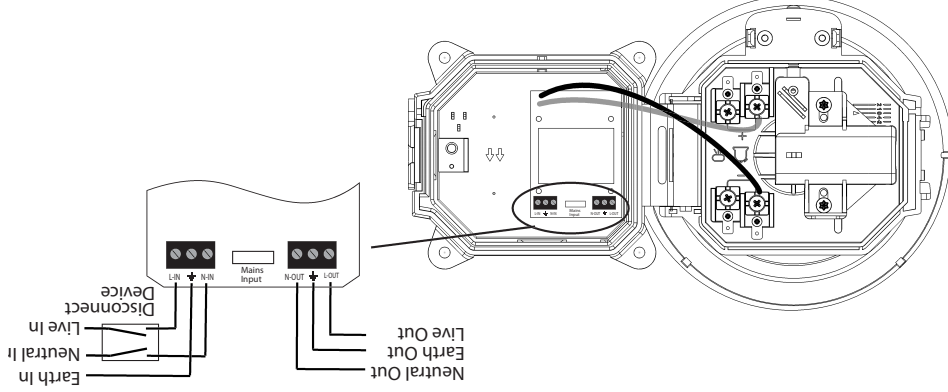
Clambell (Part Code:CBE6-XY-230-ZZ)

X = Gong Colour, Y = Base type, ZZ = Language



## Wiring (mains connection)

The wiring to the front gong terminals is pre-wired from the mains - pack. (Note: this connection is nominal 24Vdc). Before any wiring takes place, ensure that all necessary isolation devices have been activated and **cannot** be re-activated during the installation. The mains wiring MUST only be wired to the mains pack. The mains pack supports mains-in and mains-out allowing multiple Clambell's on the same circuit.



### Note:

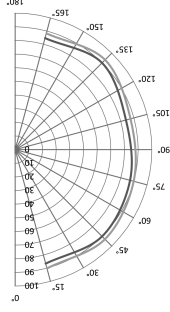
Once all the field wiring has been completed and the unit tested, the anti-tamper screw should be removed from the base and fitted to the clip to avoid unauthorised opening.

## Polar Plot

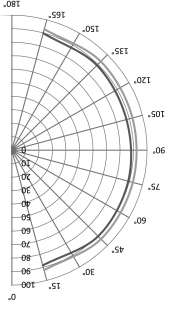
Polar data provided at Min. / Max. dc supply and at 1 metre distance.

Product should only be mounted vertically (arrows orientated upwards).

Angle	20.4V	27.6V
Horizontal	15°	86.44 90.04
	45°	89.94 92.84
	75°	87.04 89.74
	105°	83.94 87.34
	135°	89.94 93.04
	165°	84.64 88.24



Angle	20.4V	27.6V
Vertical	15°	88.44 92.14
	45°	90.24 93.24
	75°	89.04 92.64
	105°	87.64 92.34
	135°	88.84 92.94
	165°	89.64 92.74



Document available in other languages

E&OE

Vimpex AB  
Mekanikervägen 6  
Sverige  
Tel: +46 (0) 36-37 10 65  
Email: sales@vimpex.se

web: www.vimpex.co.uk

3500067\_REV0100