



INSTALLATION INSTRUCTIONS

Mains Relay Controller (Part No. ID-WLMRC)

General

The ID-WLMRC unit provides a programmable mains rated single pole relay and a programmable monitored input. The relay as default will operate on "Common Alarm" but can be programmed to activate under user defined parameters. The input default status when activated is "Fault", but can be programmed to any system input types.

Specification

External Dimensions (L, W, D)	190mm x 90mm x 25mm
Fixing Hole Quantity / Diameter	4 off / 4.5mm
Compatible Back Box	ID-WLMRCBB
Operating Temperature	-5° to +50° Celsius
Operating humidity	95% non-condensing
Enclosure Material	Fire rated ABS
Quiescent Current	300uA
Polling Current	22mA±20%
Loop Voltage	17- 41V
Short Circuit Isolator active	3.5mA
Input	ON=470Ω, Short cct <50C, Open cct >100kΩ - EOL -10kΩ, 5%, 0.25W
Relay	48Vdc max, 2A(resistive load), 250Vac max, 5A(resistive load) - For mains AC switching, the Control Panel must be compliant with Low Voltage Directive for SELV circuits.
No fuses are fitted on this device. The relay contacts must therefore be protected against damage from over-current.	
20mm Knockouts	None - unless used with ID-WLMRBB

Status LED's

The "Poll LED" will typically flash once every 10 seconds once the system is initialised. The "SCI LED" will be continuously illuminated if the device detects a Short Circuit in the field wiring. Normally two devices will have their SCI LED's illuminated indicating that the short is between the two devices, If only one "SCI LED" is illuminated then the short is typically between the device and the panel.

Installation

Install the Unit /back box with the longest edge in the horizontal plane, select a location that is flat and dry with sufficient room to install the surface cabling. Remove the required knockouts and fit the box to the building substrate (Note: Mounting screws not supplied). Once installed use appropriate glands if required by the local installation code of practice prior to installing the cables. (Do Not Overtighten the glands as it may distort the enclosure)

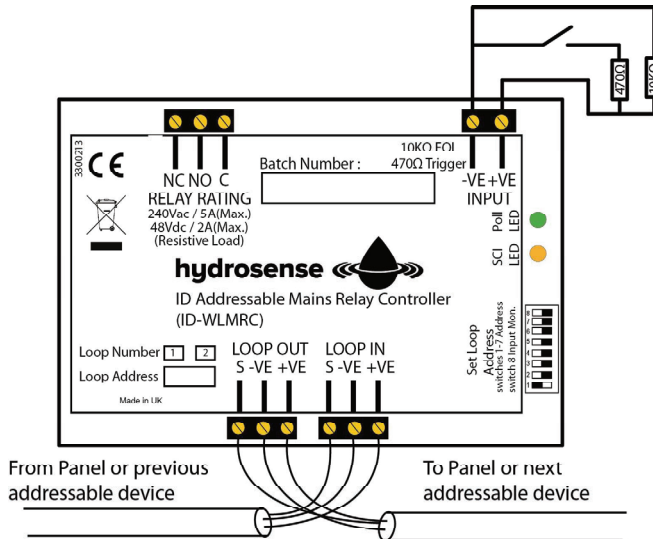


INSTALLATION INSTRUCTIONS

Mains Relay Controller (Part No. ID-WLMRC)

Wiring

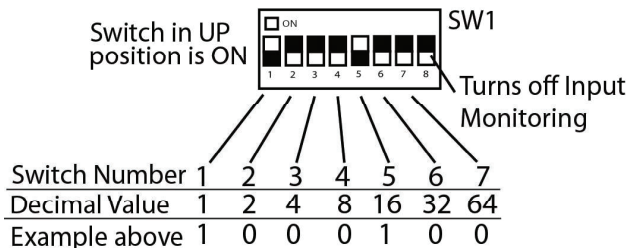
It is recommended that the cables are brought into the box on the opposite side of where they are to be connected to the module to aid installation.



Address Setting(DIL Switch)

The device has an eight way DIL switch, switches 1 through to 7 are for setting the Loop address between 1 and 127. Each device on the loop must have a unique address set prior to power being applied. If more than one devices is set to the same address then the system will show a "Double address fault". It is recommended that when the address is set it is recorded on the product label.

Switch 8 is used to Disable (Set to On) or Enable (Set to Off) the input monitoring.



So switch value - Switch 1 on and Switch 5 on
Switch 1=1 and Switch 5=16
Result = 1+16 = Address 17



INSTALLATION INSTRUCTIONS

Mains Relay Controller (Part No. ID-WLMRC)

General

The ID-WLMRC unit provides a programmable mains rated single pole relay and a programmable monitored input. The relay as default will operate on "Common Alarm" but can be programmed to activate under user defined parameters. The input default status when activated is "Fault", but can be programmed to any system input types.

Specification

External Dimensions (L, W, D)	190mm x 90mm x 25mm
Fixing Hole Quantity / Diameter	4 off / 4.5mm
Compatible Back Box	ID-WLMRCBB
Operating Temperature	-5° to +50° Celsius
Operating humidity	95% non-condensing
Enclosure Material	Fire rated ABS
Quiescent Current	300uA
Polling Current	22mA±20%
Loop Voltage	17- 41V
Short Circuit Isolator active	3.5mA
Input	ON=470Ω, Short cct <50C, Open cct >100kΩ - EOL -10kΩ, 5%, 0.25W
Relay	48Vdc max, 2A(resistive load), 250Vac max, 5A(resistive load) - For mains AC switching, the Control Panel must be compliant with Low Voltage Directive for SELV circuits.
20mm Knockouts	None - unless used with ID-WLMRBB

Status LED's

The "Poll LED" will typically flash once every 10 seconds once the system is initialised. The "SCI LED" will be continuously illuminated if the device detects a Short Circuit in the field wiring. Normally two devices will have their SCI LED's illuminated indicating that the short is between the two devices, If only one "SCI LED" is illuminated then the short is typically between the device and the panel.

Installation

Install the Unit /back box with the longest edge in the horizontal plane, select a location that is flat and dry with sufficient room to install the surface cabling. Remove the required knockouts and fit the box to the building substrate (Note: Mounting screws not supplied). Once installed use appropriate glands if required by the local installation code of practice prior to installing the cables. (Do Not Overtighten the glands as it may distort the enclosure)

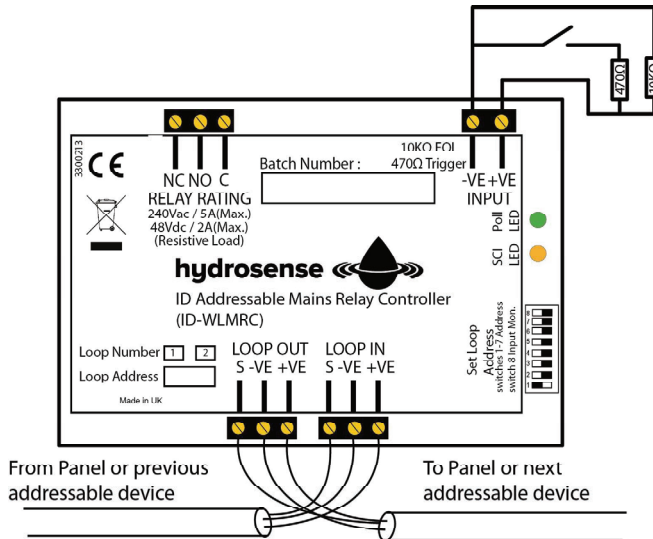


INSTALLATION INSTRUCTIONS

Mains Relay Controller (Part No. ID-WLMRC)

Wiring

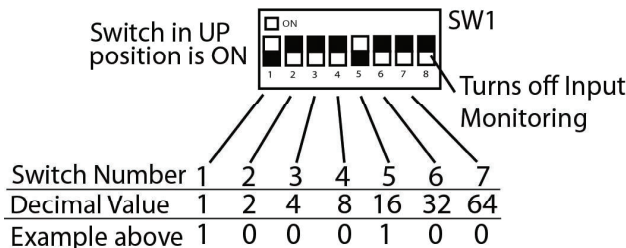
It is recommended that the cables are brought into the box on the opposite side of where they are to be connected to the module to aid installation.



Address Setting(DIL Switch)

The device has an eight way DIL switch, switches 1 through to 7 are for setting the Loop address between 1 and 127. Each device on the loop must have a unique address set prior to power being applied. If more than one devices is set to the same address then the system will show a "Double address fault". It is recommended that when the address is set it is recorded on the product label.

Switch 8 is used to Disable (Set to On) or Enable (Set to Off) the input monitoring.



So switch value - Switch 1 on and Switch 5 on
Switch 1=1 and Switch 5=16
Result = 1+16 = Address 17